

Town of Silver City

Public Works Department/Sidewalk, Curb & Pavement Breaking Permit

Attached are specifications for new construction or repairs

Date: _____

Name of Applicant or Resident: _____

Mailing Address of Applicant (to return deposit)

Type of Work: Curb Break _____ Pavement Cut _____ Sidewalk _____ Both _____

Address of where work is to be done _____

Estimated square footage to be removed and replaced _____

Permit Fee: \$125.00 (refundable upon completion and approval by Town representative)

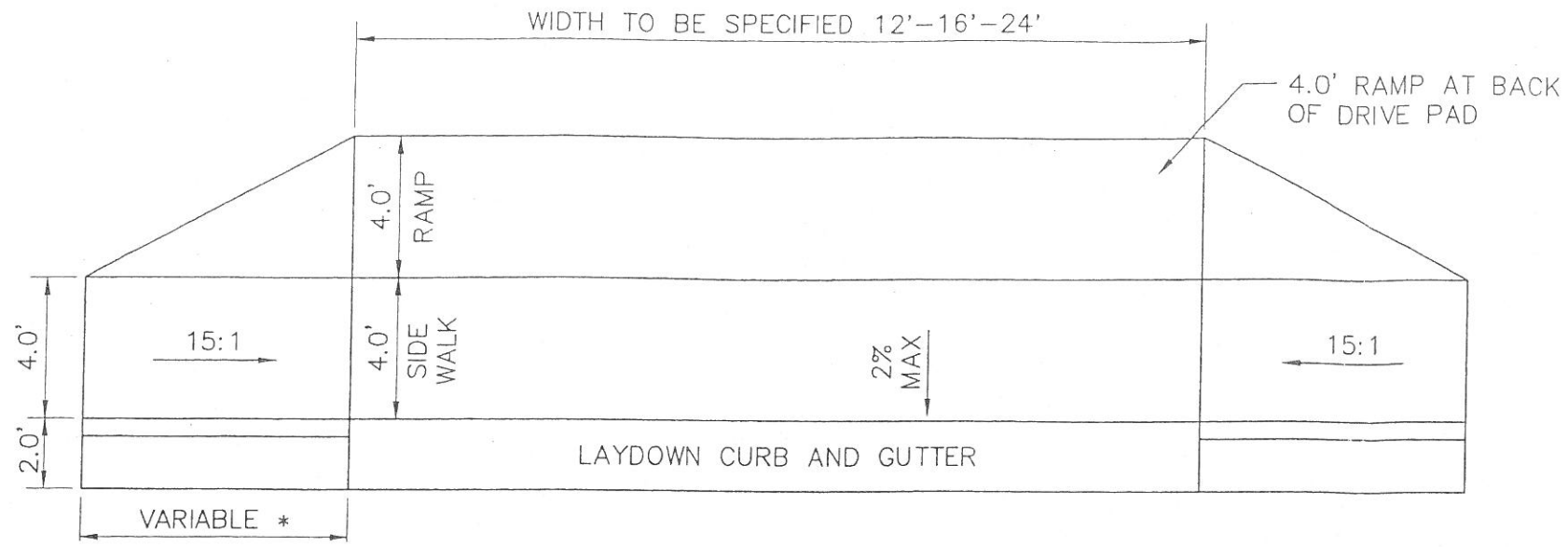
Description of work to be done: _____

Applicant

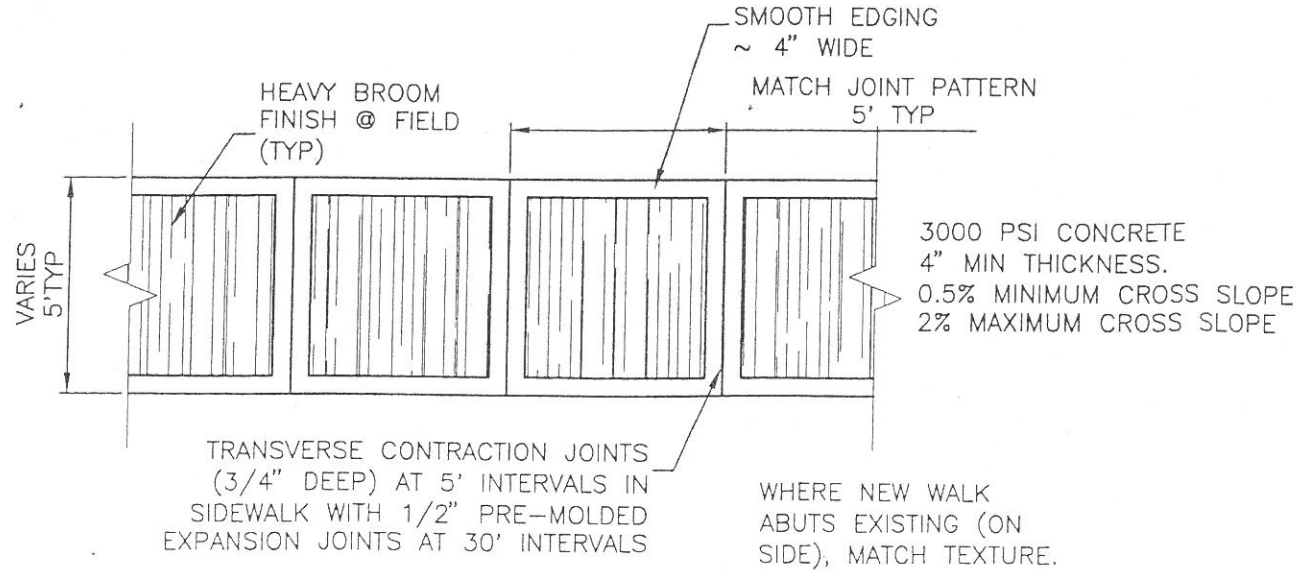
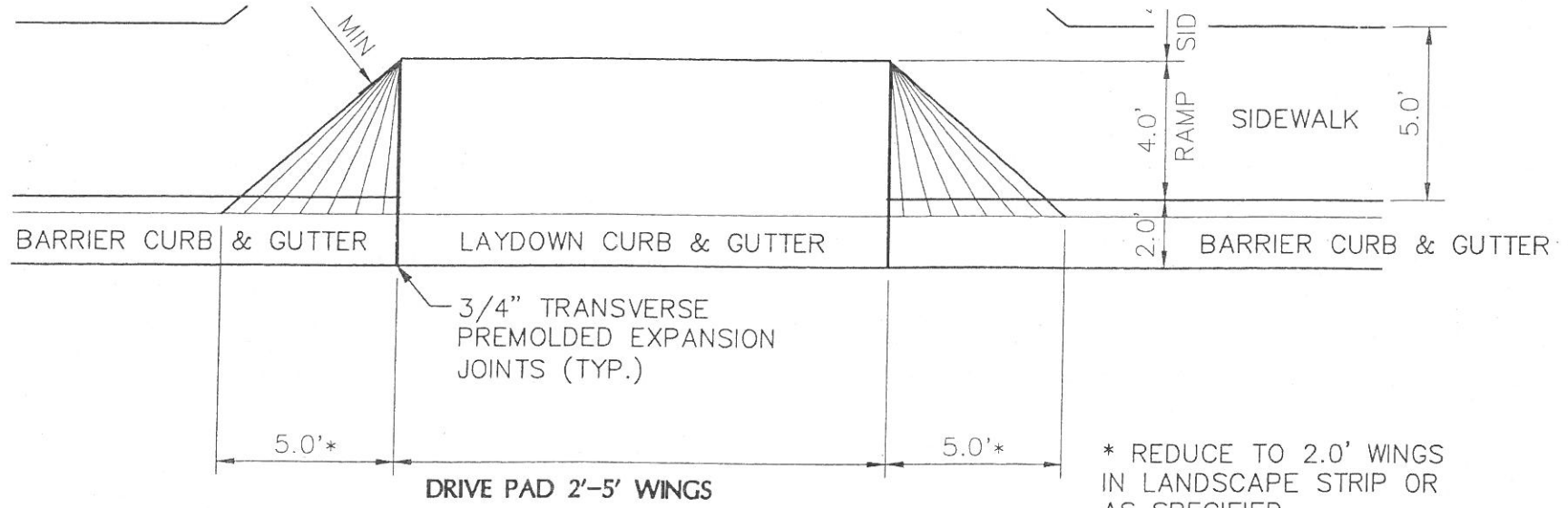
Public Works Representative

Signature/Date of Inspection _____

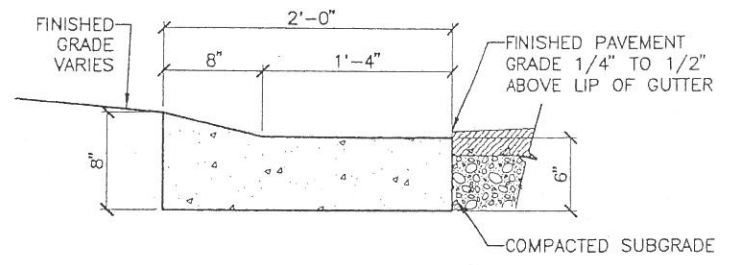
Approved: Y or N



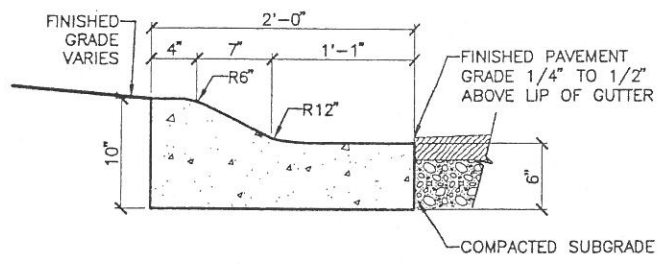
TYPE A DRIVE PAD



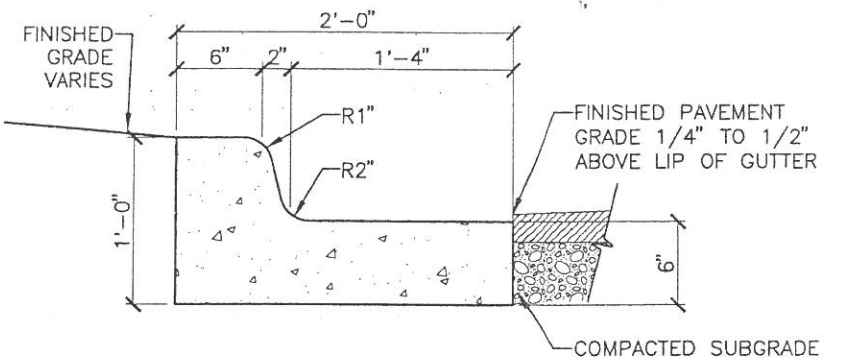
SIDEWALK PLAN



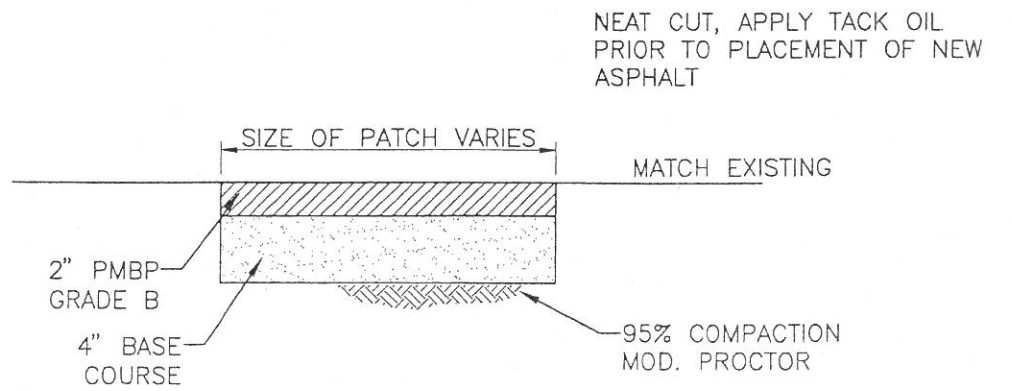
CONCRETE LAYDOWN CURB 8"



CONCRETE SLOPED CURB & GUTTER (6"X24")



CONCRETE VERTICAL CURB & GUTTER (6"X24")



ASPHALT PAVEMENT DETAIL